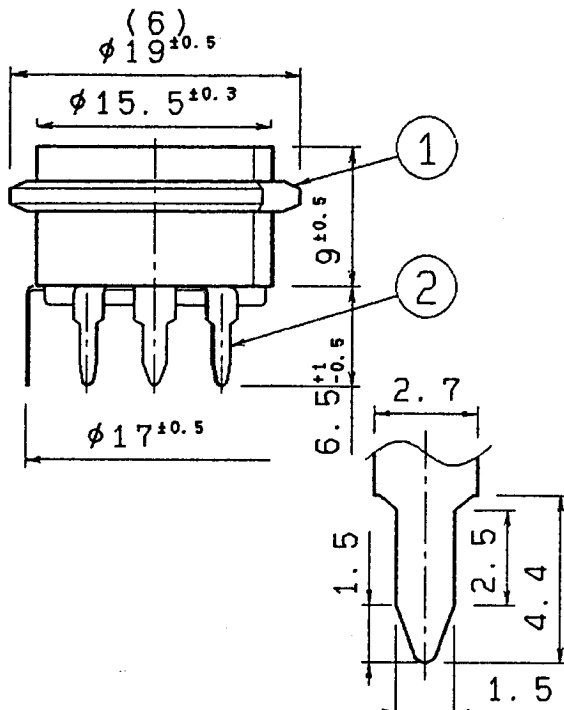
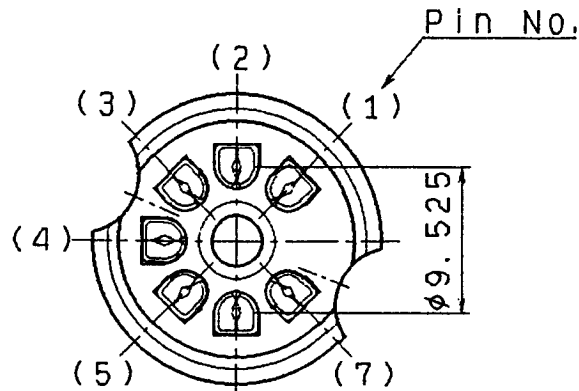


SR5 STRUCTURAL SPECIFICATIONS

10th October, '00
Figaro Engineering Inc.

1	2	3	4
MARK	REVISION		DATE SIGN APP.



SPECIFICATION

- Individual contact retention : 85g min (After endurance.)
- Insertion and Extraction force
 - Insertion force: 4.5 kgf max
 - Extraction force: 1.3 to 4 kgf
 - Extraction force: 1.25 kgf min (After endurance.)
- Terminal strength
The terminal shall be bended 45° and return. After 3 cycles shall be cheked.
- Other specification.
V572157~166 M type
-VV010

Detaile of terminals A class and S-3111

02	No-Contact	6
01	Contact	7
# x x	Pin No-4 Contact	Q' TY

STRUCTURAL SPECIFICATIONS

2	S-Z0002-150 ^{#2}	CONTACT	C5212R-H	Ag PLATING	t=0.25	
1	S-Z0008-22 ^{#1}	HOUSING	PM-EG	(BRACK)	1	
ITEM	PART NO.	NAME	MATERIAL	FINISH	Q' TY	NOTE

UNIT mm SCALE 2:1 DESCRIPTION 3219 ISSUED JAN. 13. 1995

APPROVED 13-Jan-95 S. Ogata
 CHECKED 13-Jan-95
 TRACED
 DESIGNED 13-Jan-95 H. Hrabawa

M-SOCKET

DRAWING NO. S-B6501 # x x Model No. SR5